

1,325,905.

A. H. PARKER.
HEATING FURNACE.
APPLICATION FILED JULY 9, 1918.

Patented Dec. 23, 1919.

2 SHEETS—SHEET 1.

Fig. 1.

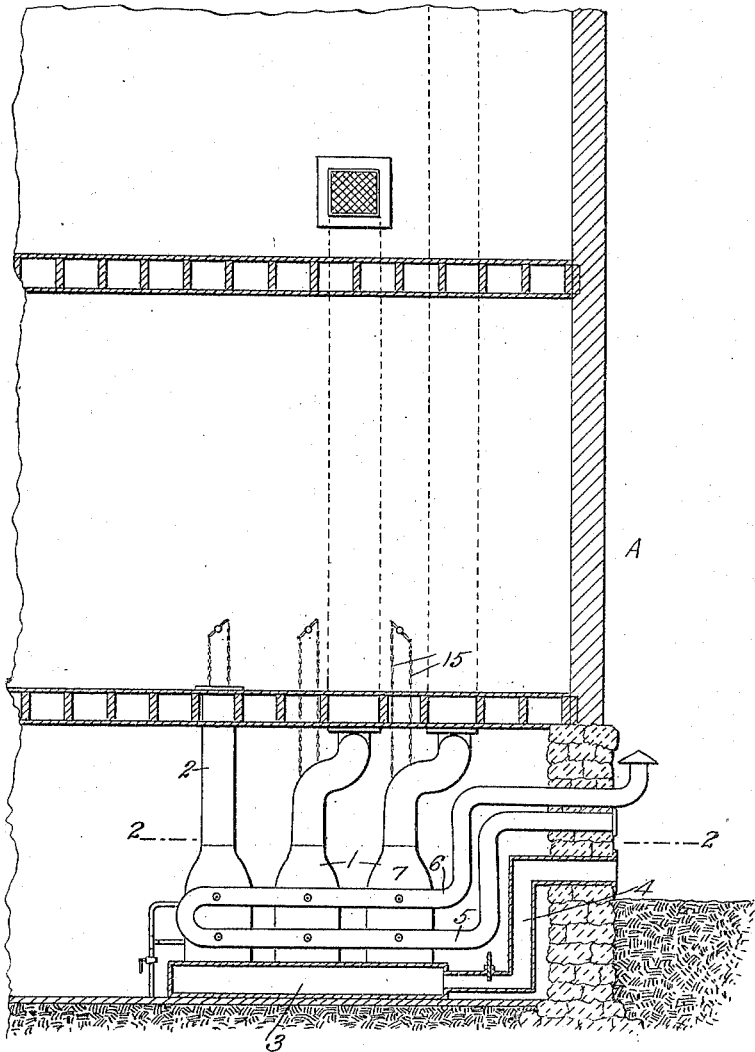
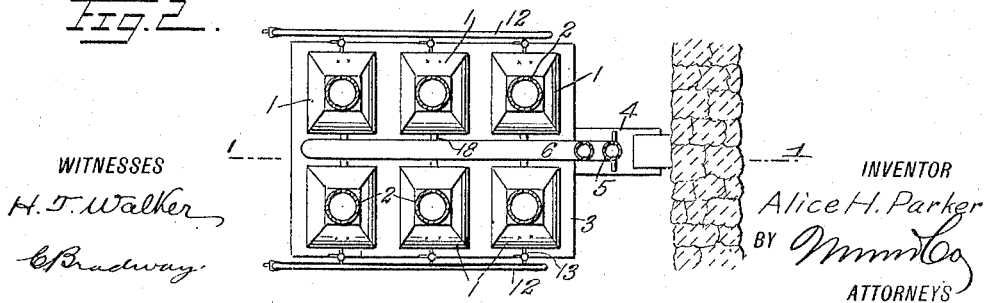


Fig. 2.



A. H. PARKER.
HEATING FURNACE.
APPLICATION FILED JULY 9, 1918.

1,325,905.

Patented Dec. 23, 1919.

2 SHEETS—SHEET 2.

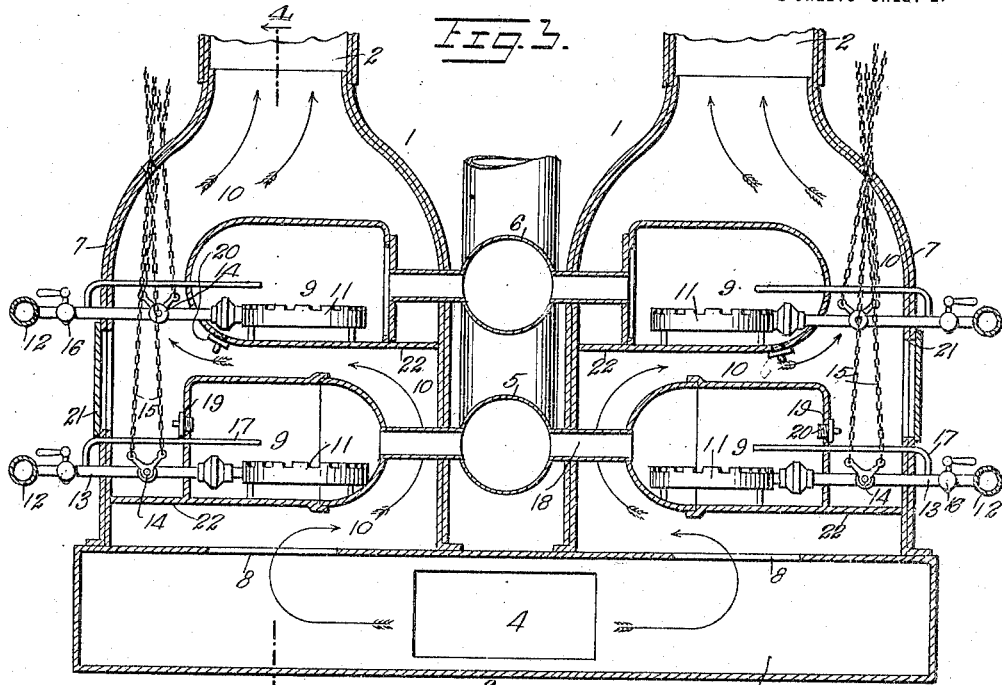
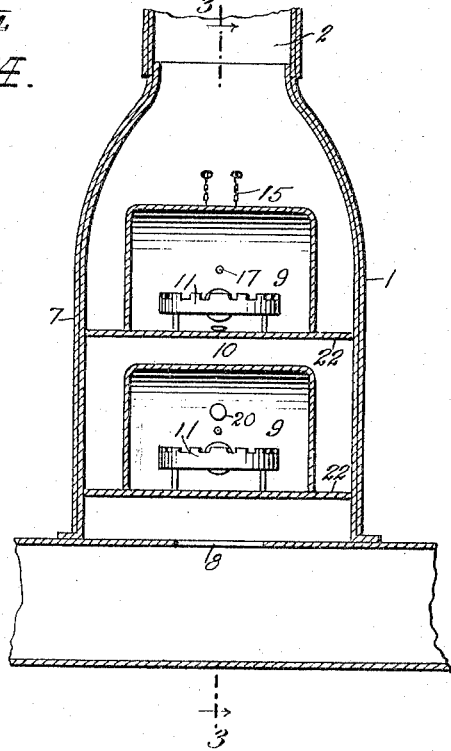


Fig. 3.

Fig. 4.



WITNESSES
H. T. Walker
C. Bradway

INVENTOR
Alice H. Parker
BY *Mumford*
ATTORNEYS